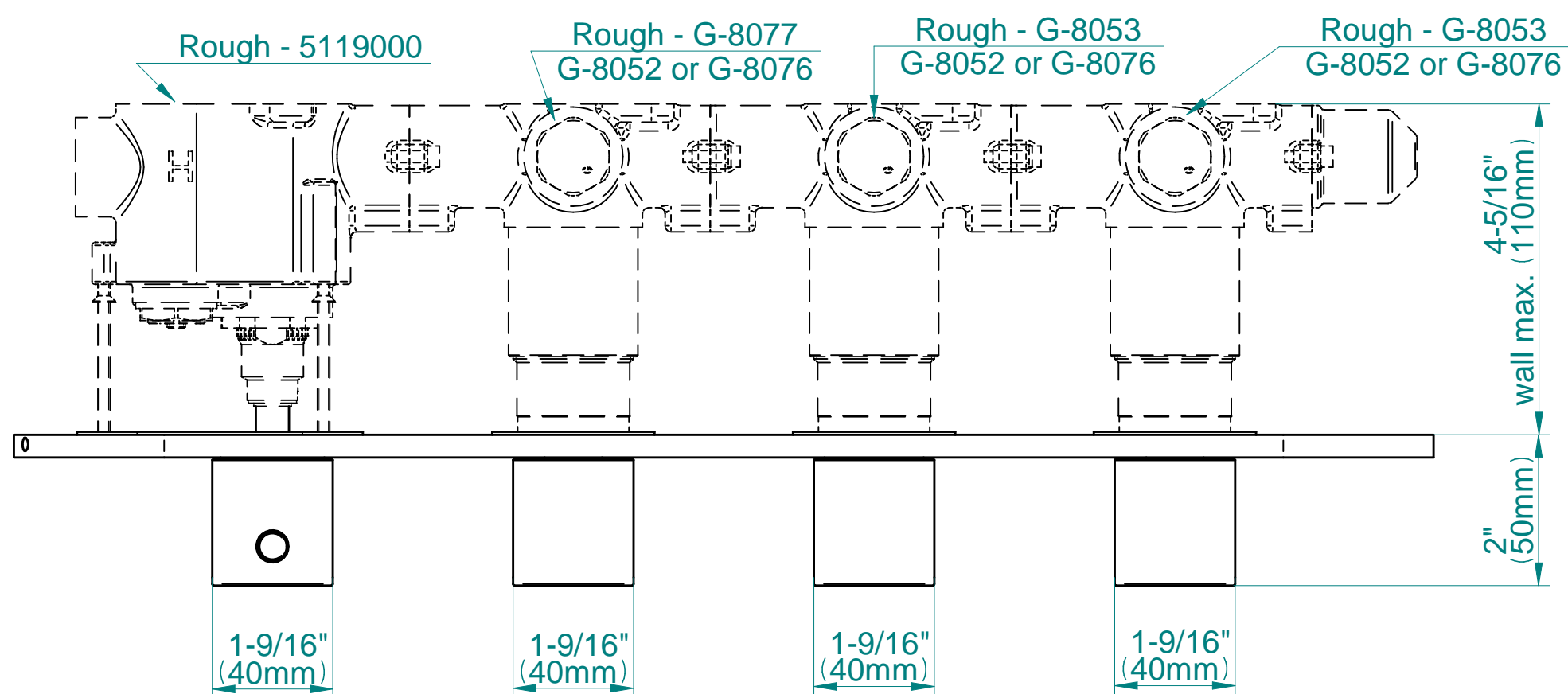
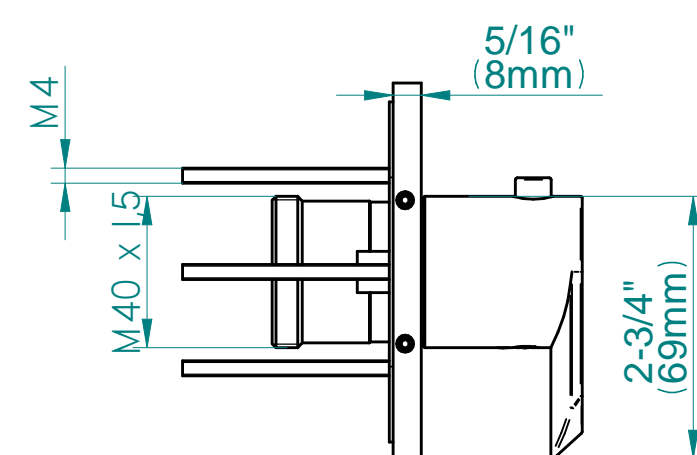
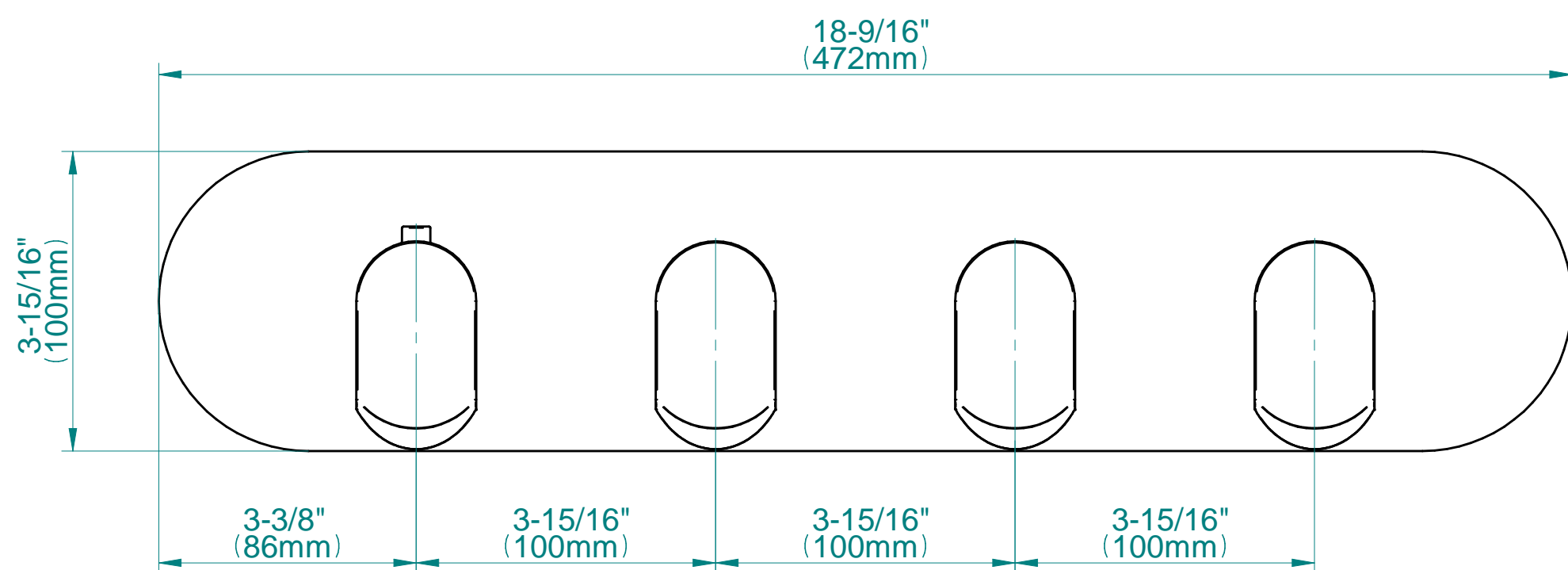


# G-8058H-LM45E0-T

## PHASE Series



**GRAFF**<sup>®</sup>  
CUTTING EDGE DESIGN