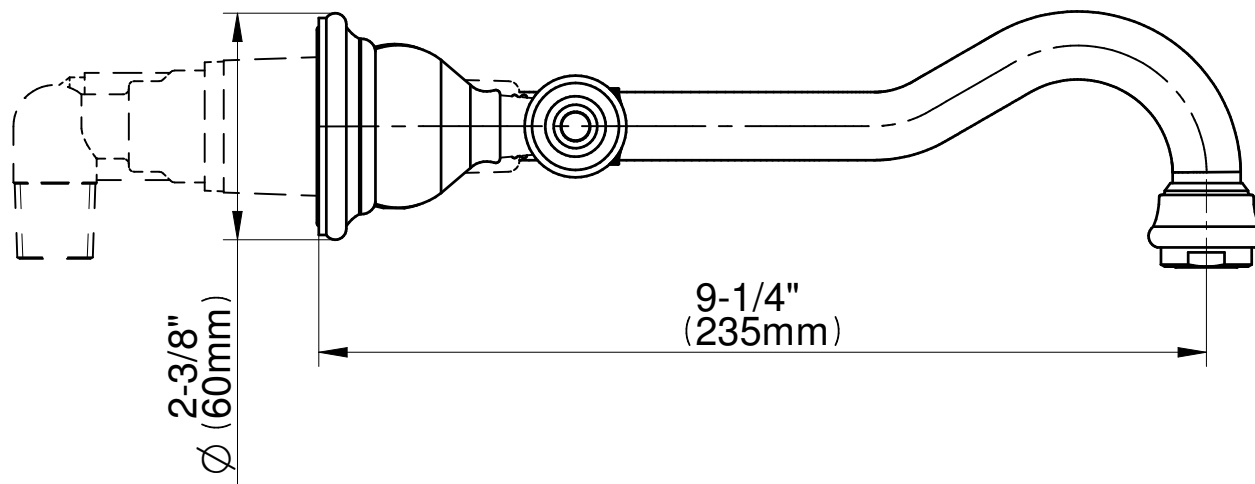


# G-2531-LM34-T

## Adley Series



wall max.  $2\frac{3}{4}"$  (70 mm)  
wall min.  $1\frac{3}{4}"$  (44,5 mm)

