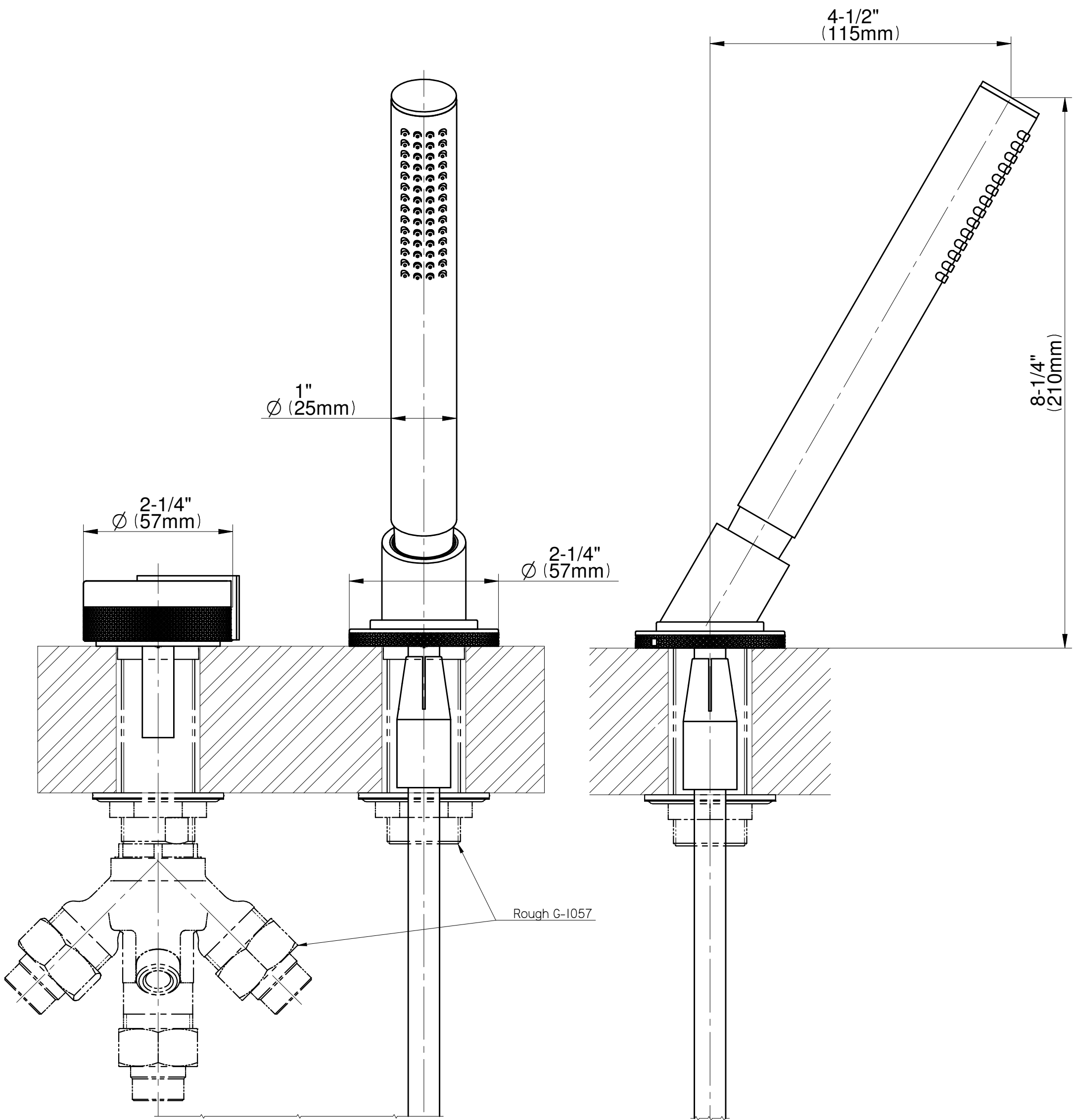


G-11555-***-L1**-**-T

MOD+ Series



Trim works with rough G-1057