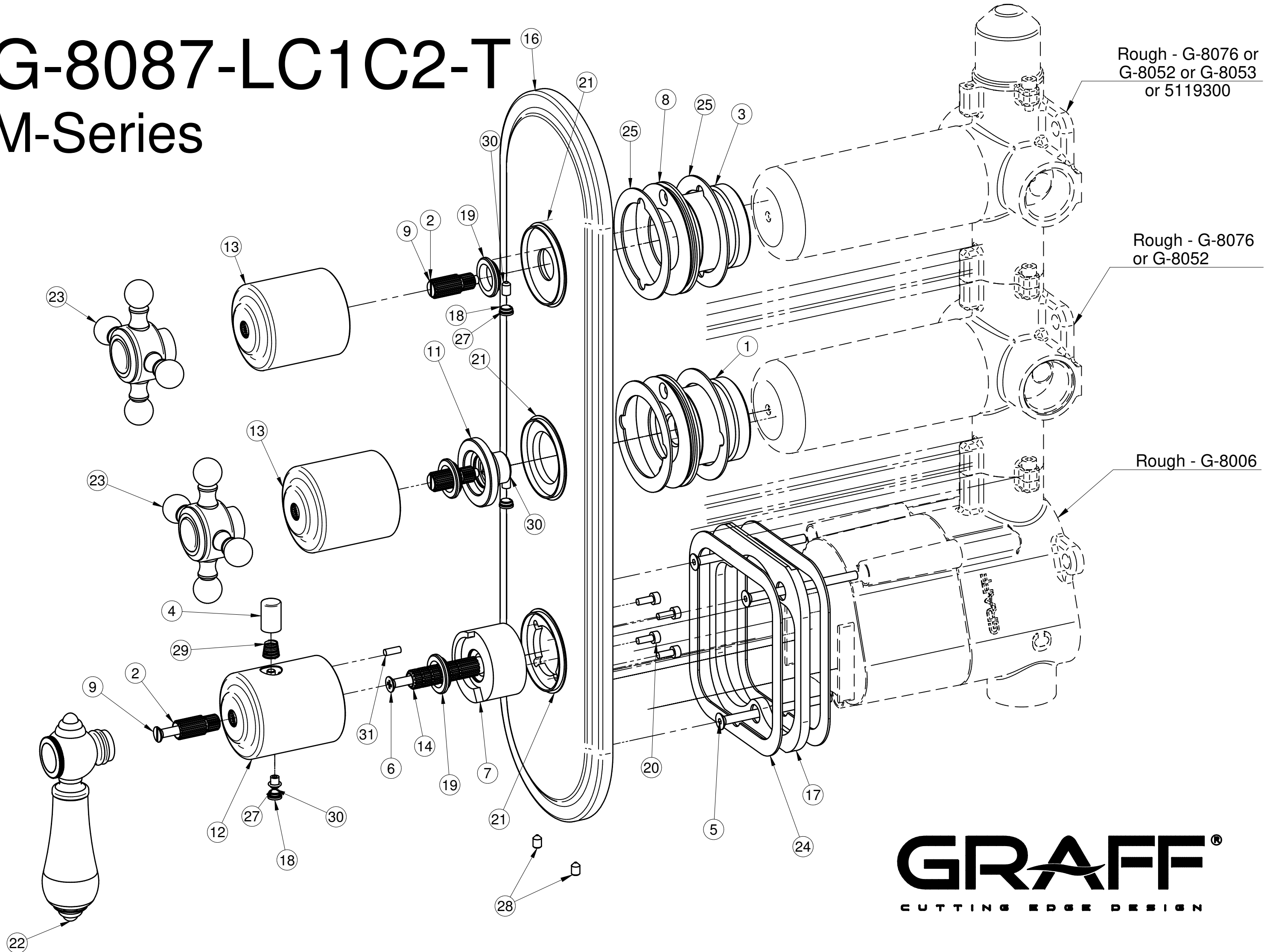
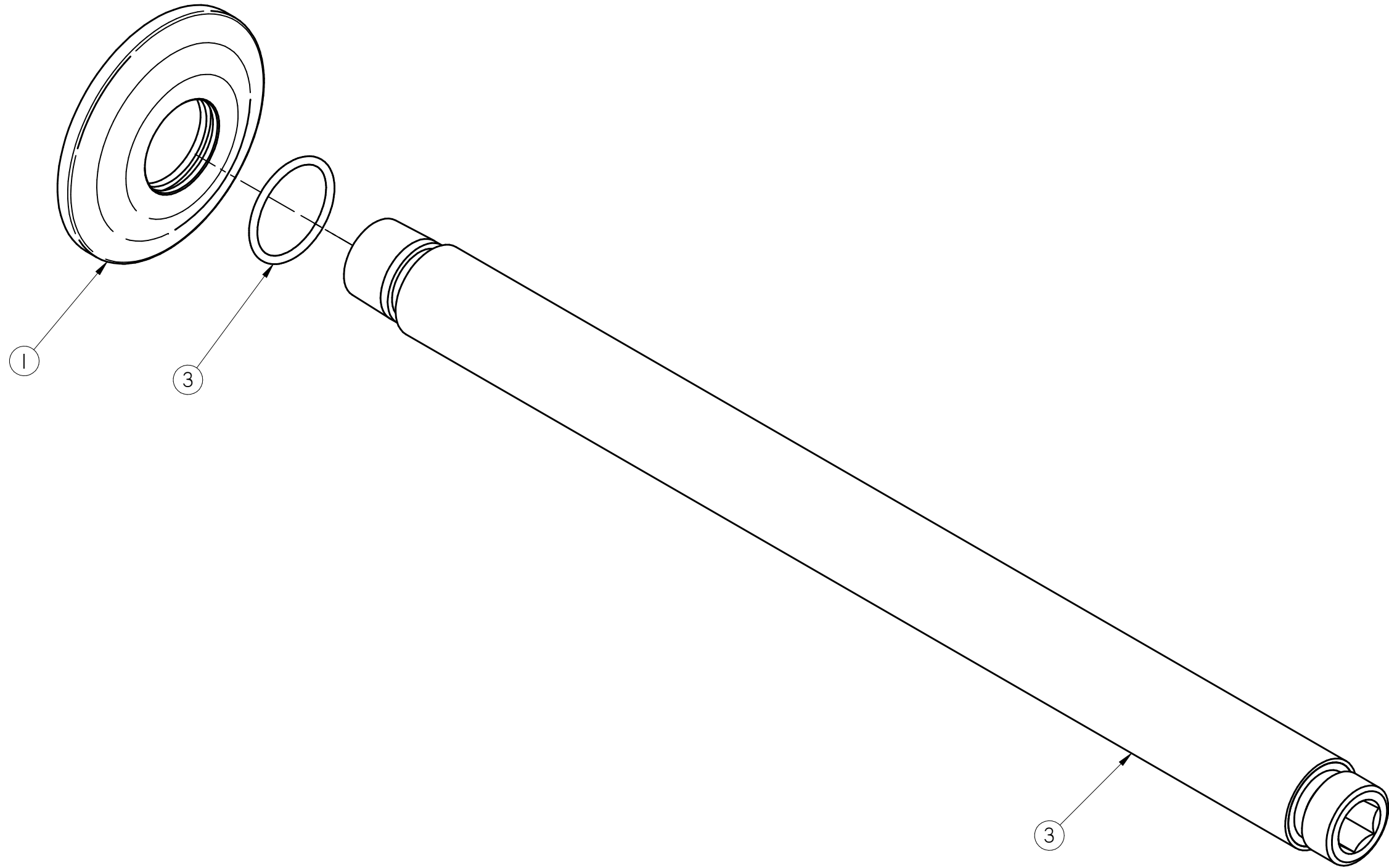


G-8087-LC1C2-T

M-Series

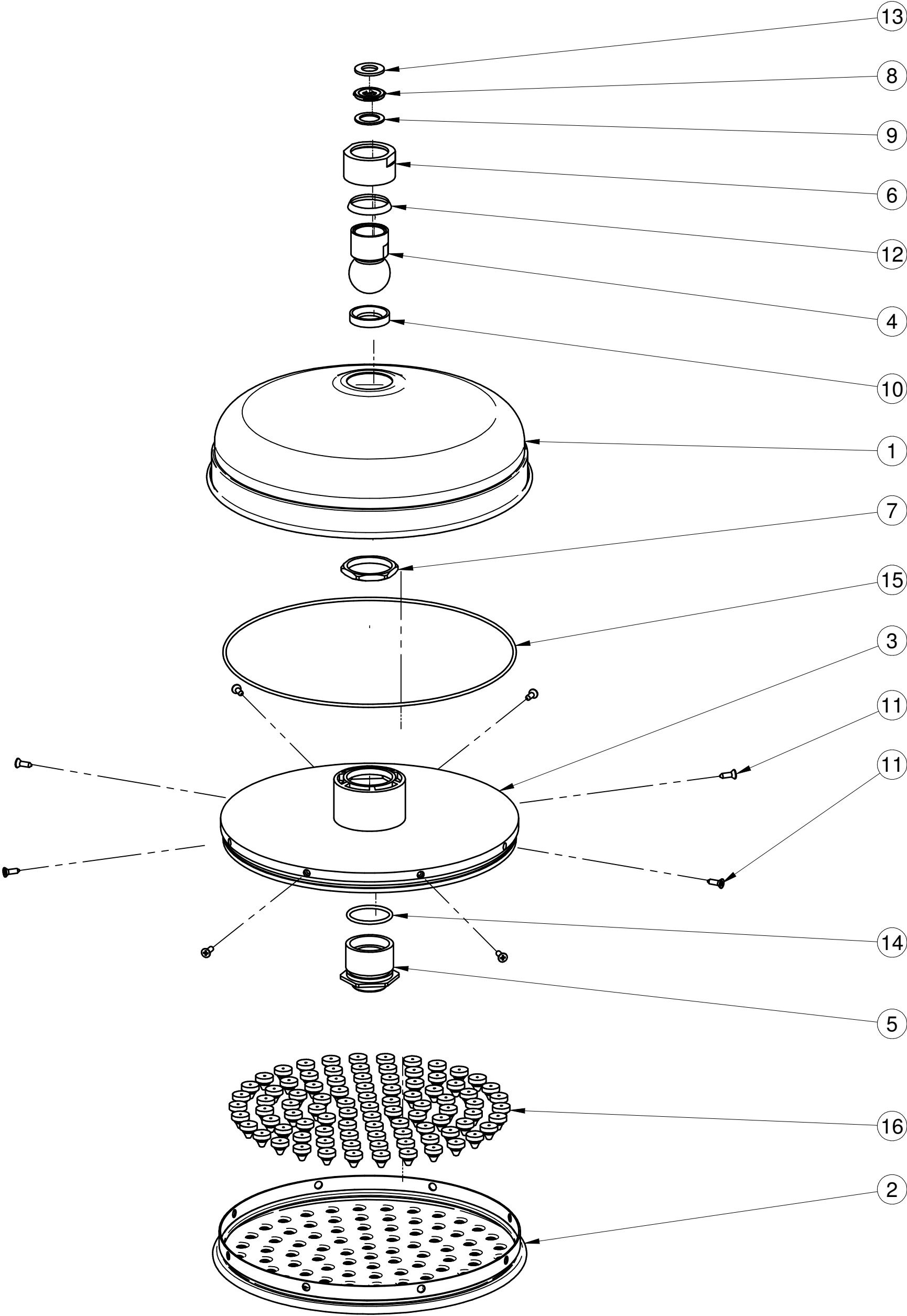


G-8386



GRAFF[®]
CUTTING EDGE DESIGN

G-8386



G-8636-C16SB

