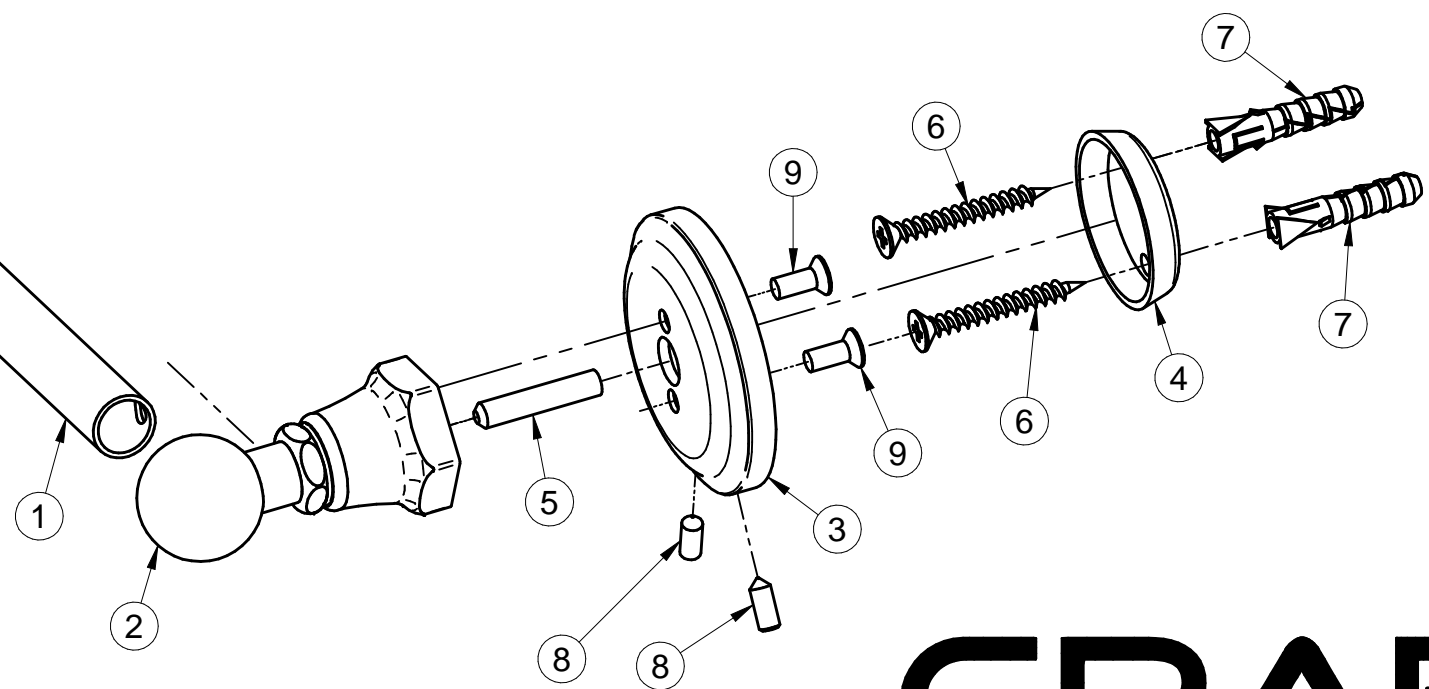
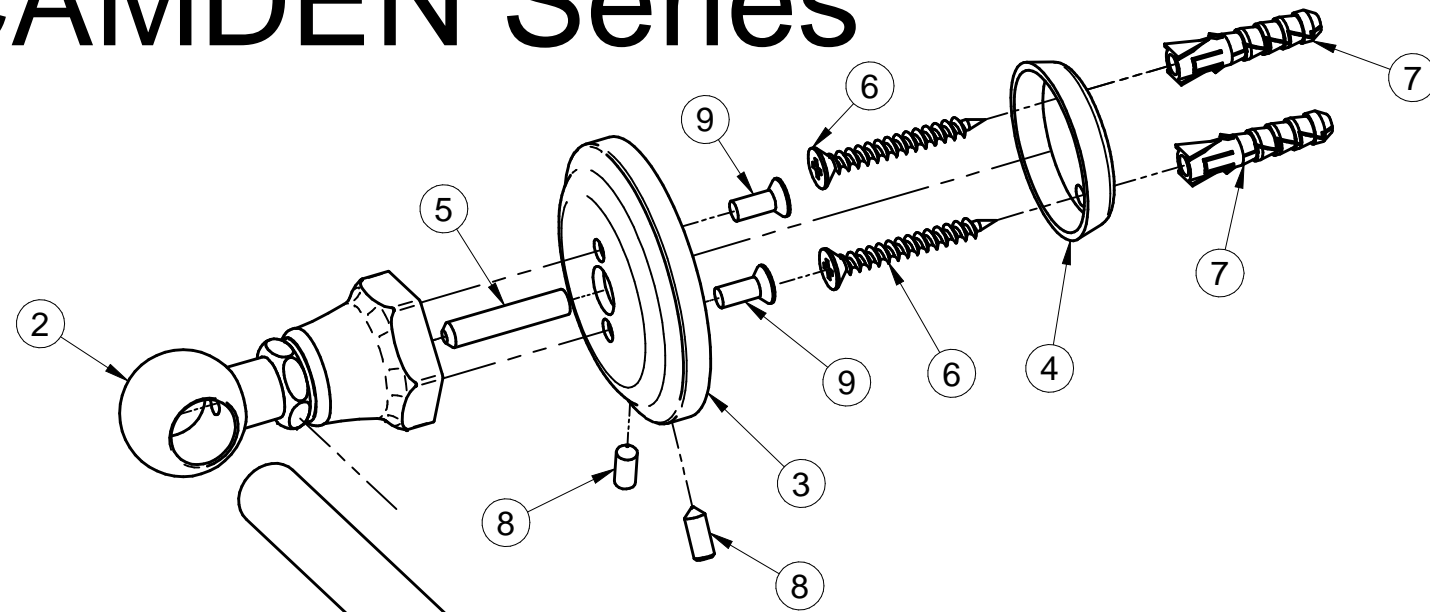


G-9707

CAMDEN Series



GRAFF[®]
CUTTING EDGE DESIGN