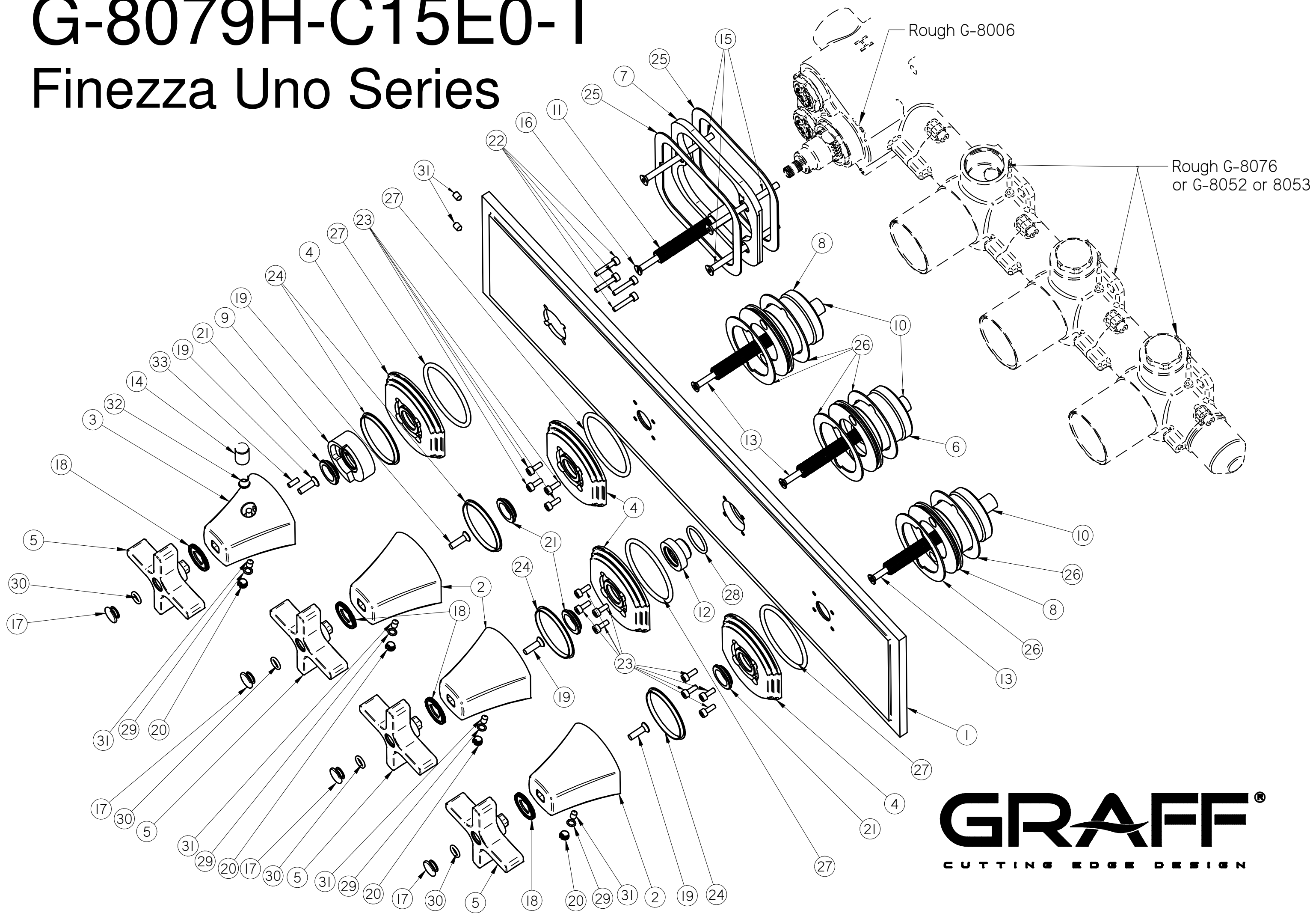


# G-8079H-C15E0-T

## Finezza Uno Series



**GRAFF**<sup>®</sup>  
CUTTING EDGE DESIGN