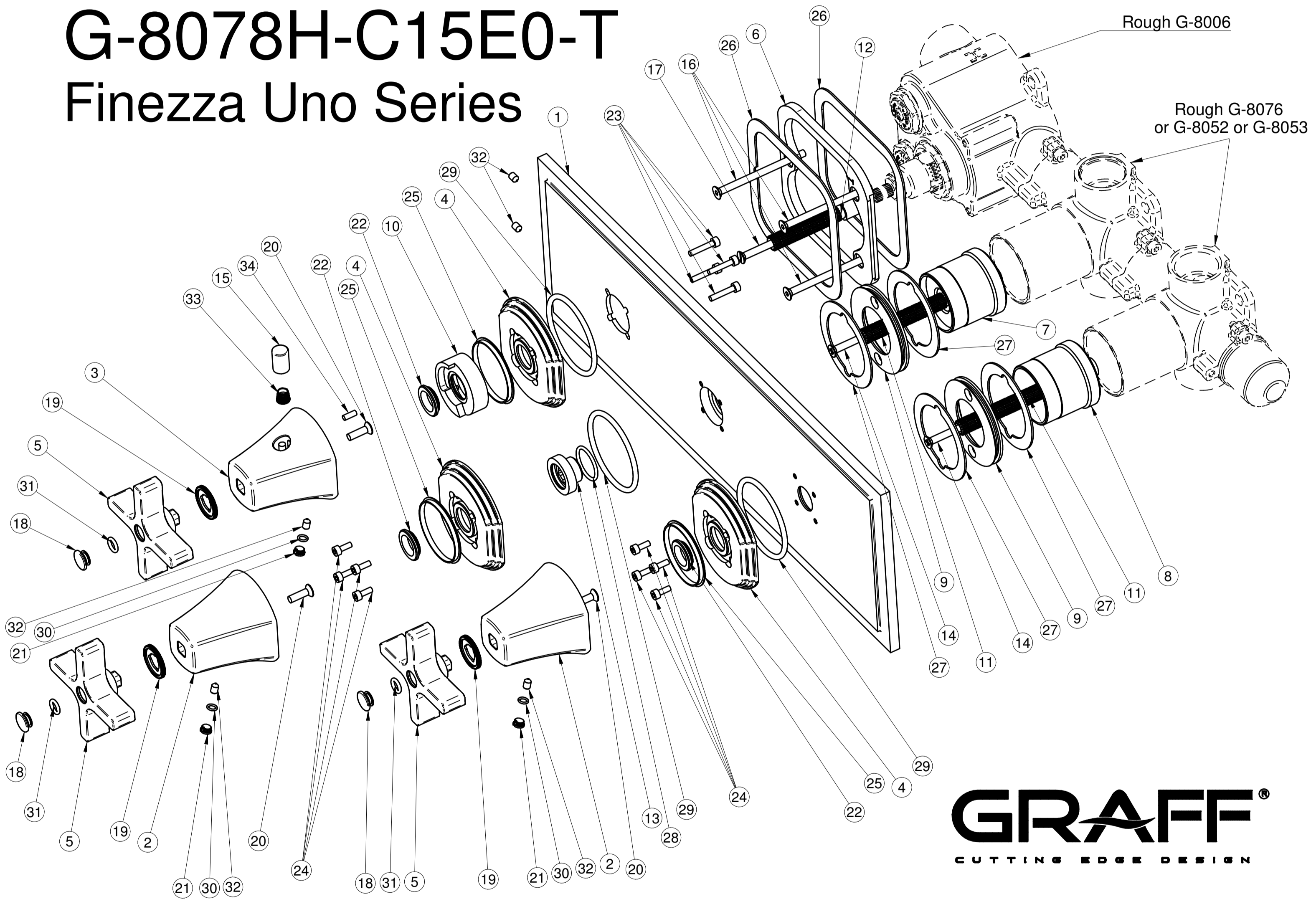


G-8078H-C15E0-T

Finezza Uno Series



GRAFF[®]
CUTTING EDGE DESIGN