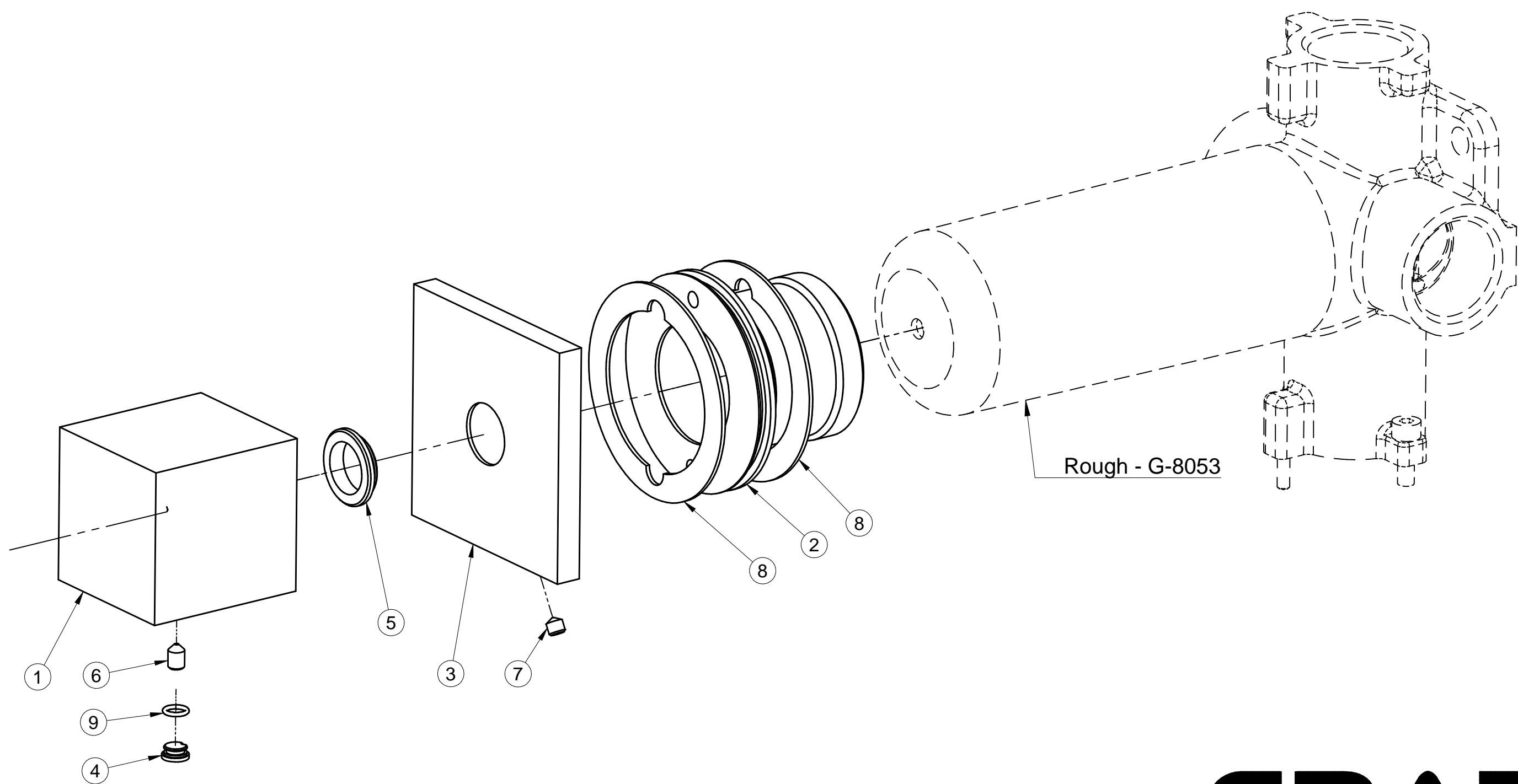


# G-8072-SH1-T

## 3-way Diverter Valve - Trim - M-Series



**GRAFF**<sup>®</sup>  
CUTTING EDGE DESIGN