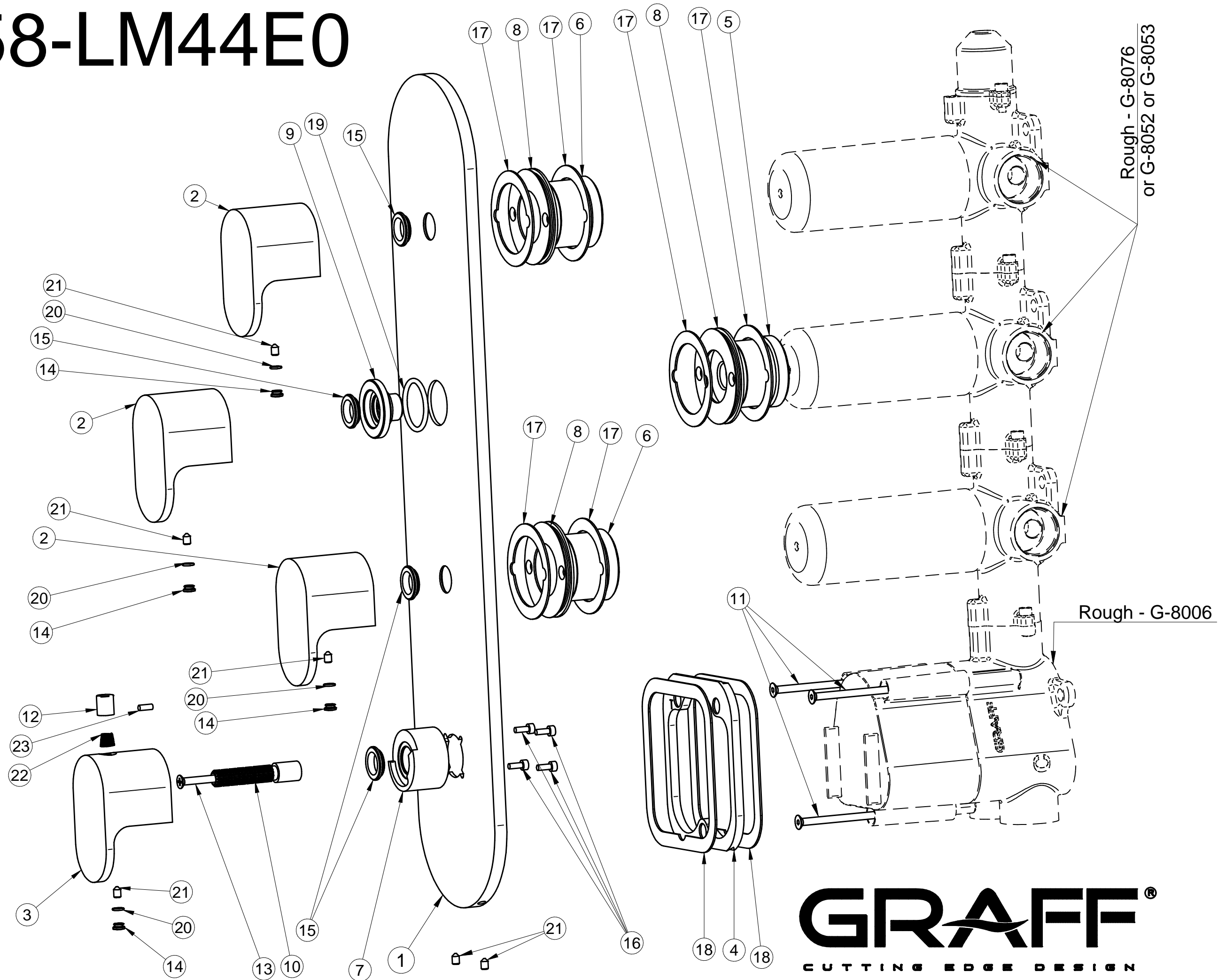


G-8058-LM44E0 Series



GRAFF[®]
CUTTING EDGE DESIGN