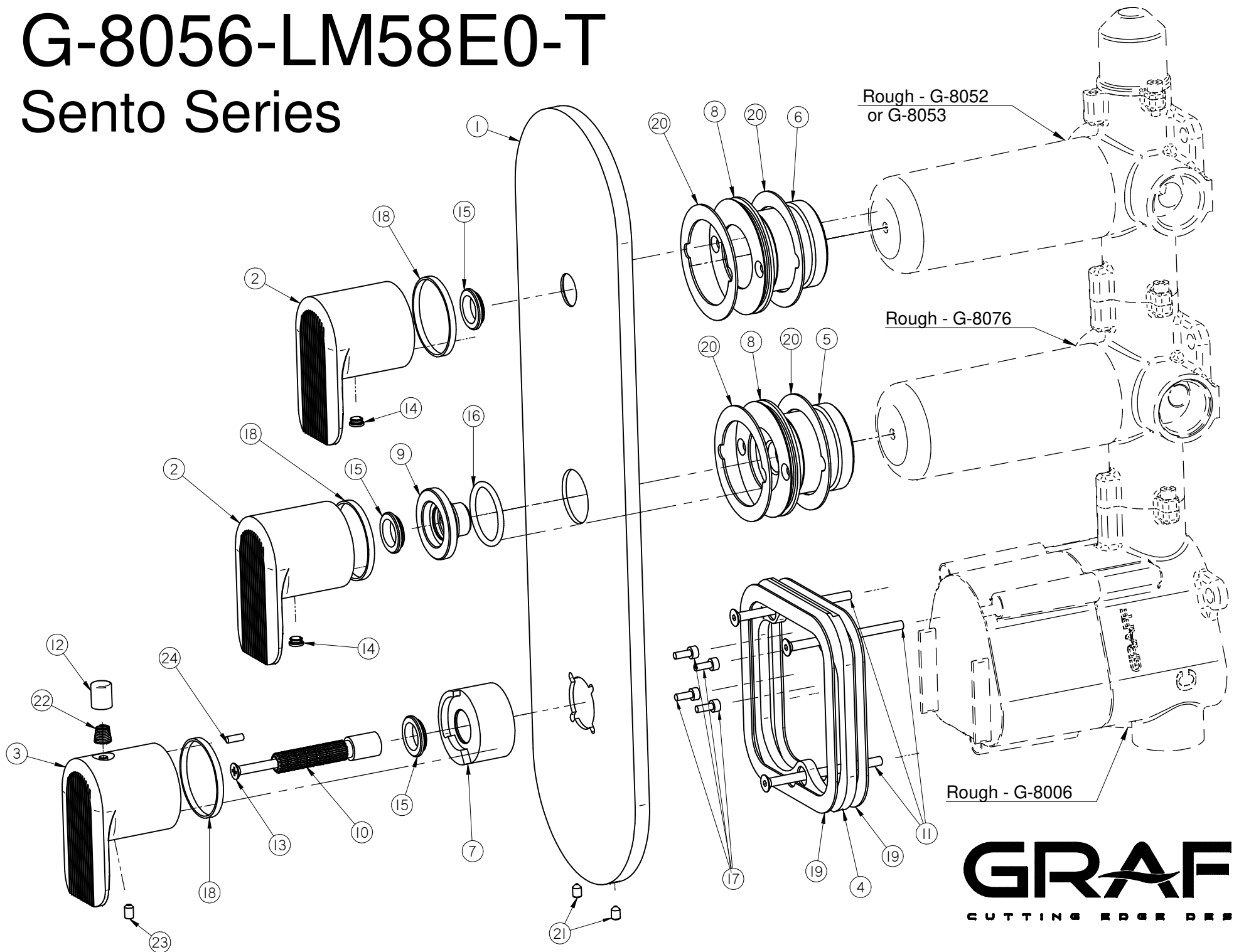


G-8056-LM58E0-T

Sento Series



GRAFF[®]
CUTTING EDGE DESIGN