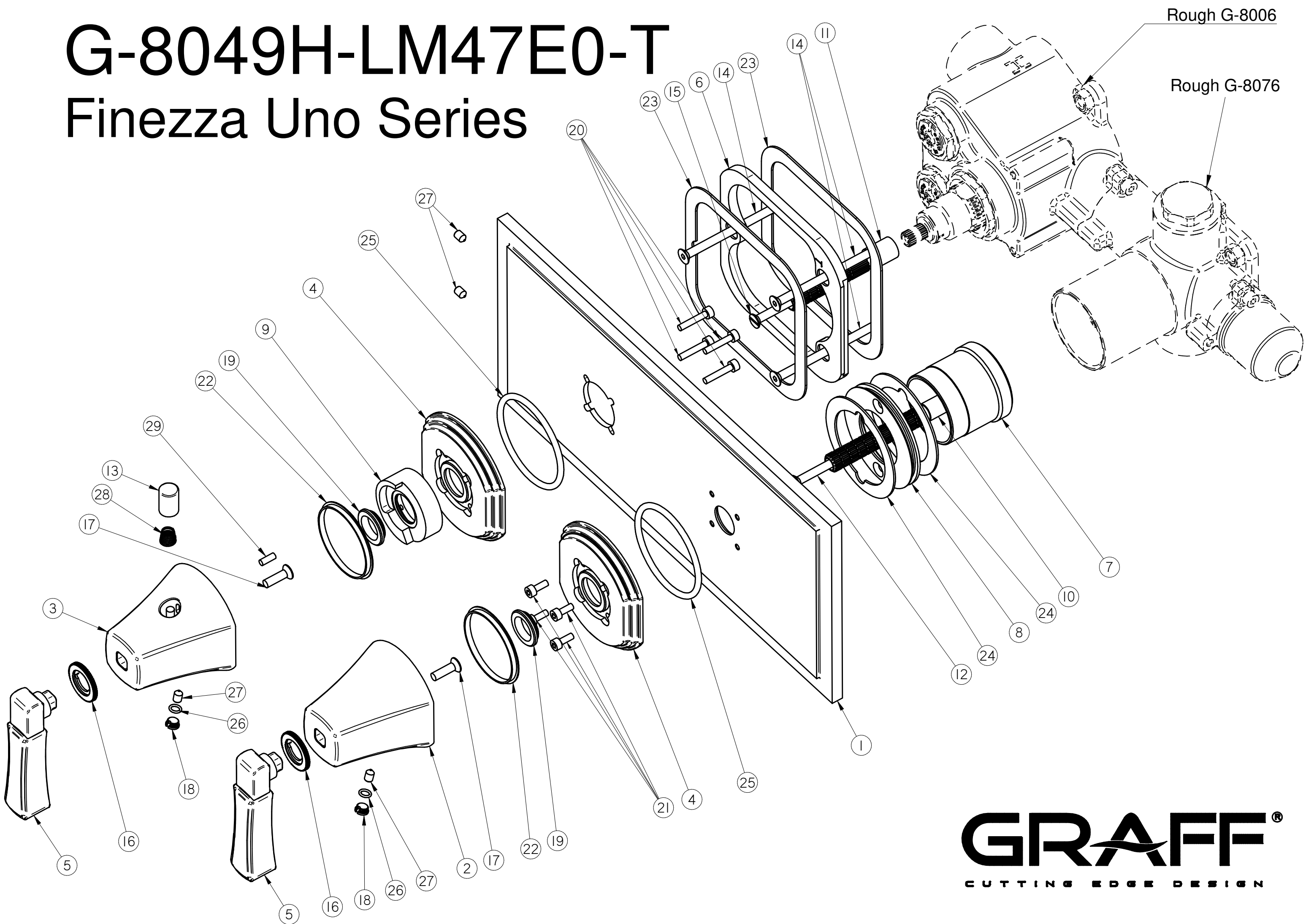


G-8049H-LM47E0-T

Finezza Uno Series



GRAFF[®]
CUTTING EDGE DESIGN