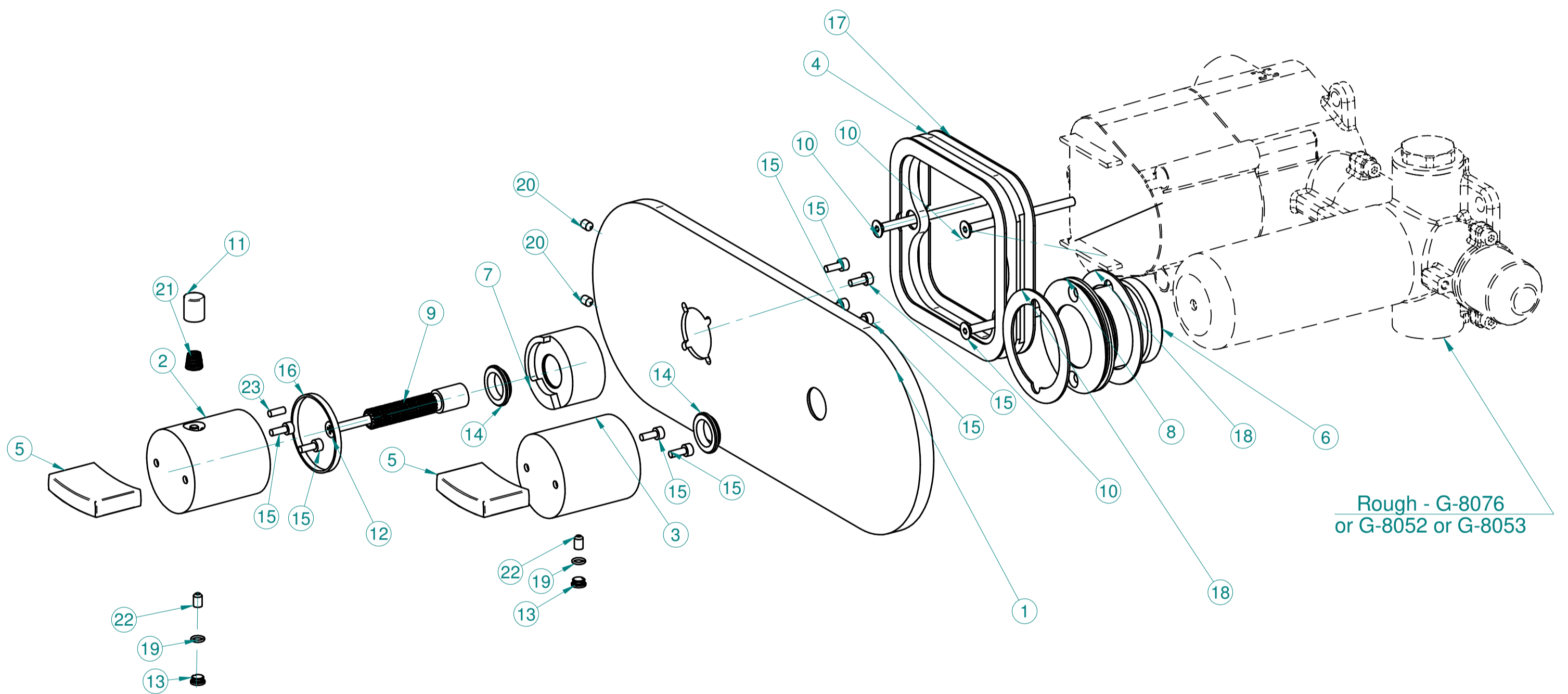


G-8047H-C14E0-T

SENTO Series



GRAFF[®]
CUTTING EDGE DESIGN