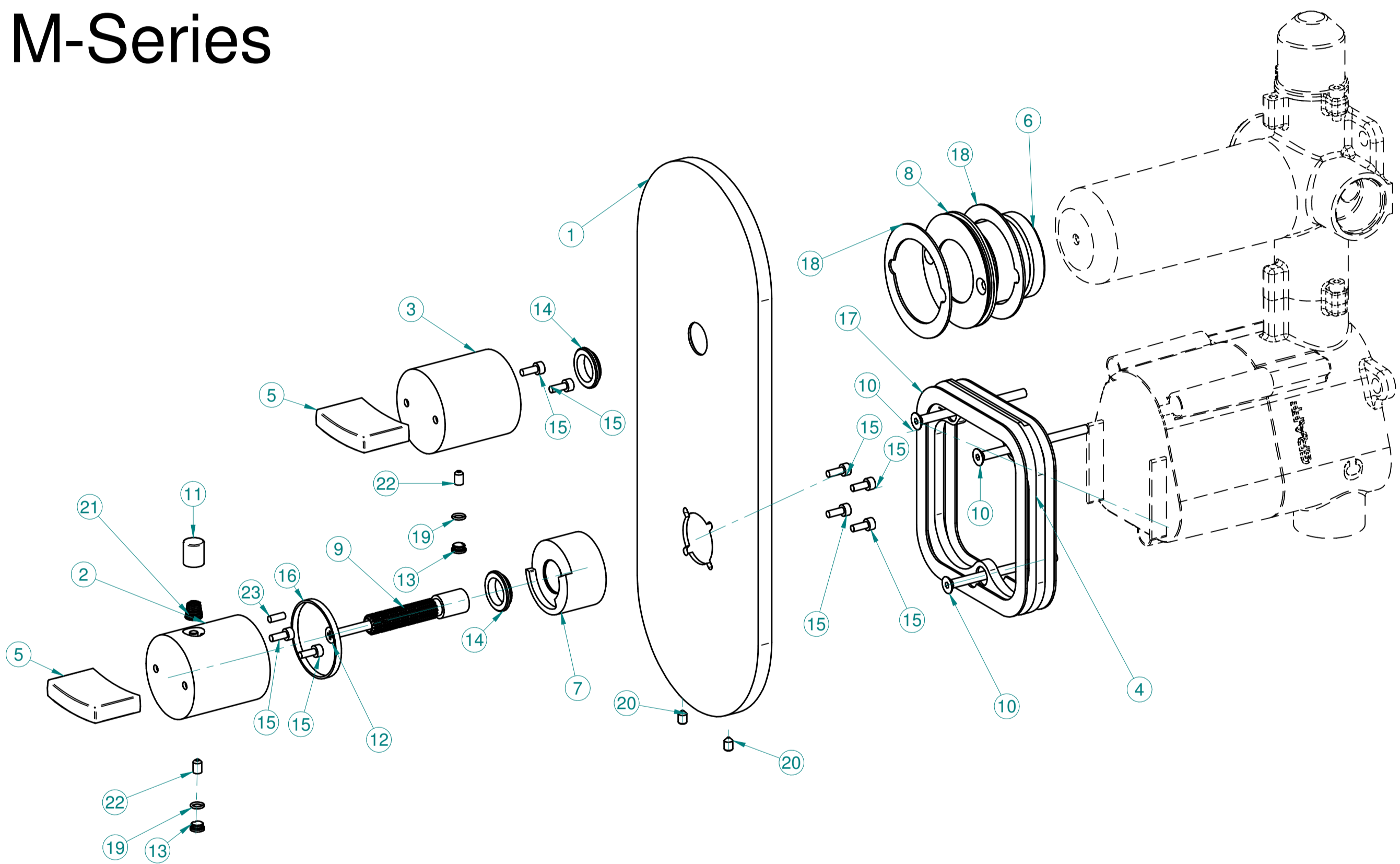


G-8047-C14E0-T

M-Series



GRAFF[®]
CUTTING EDGE DESIGN