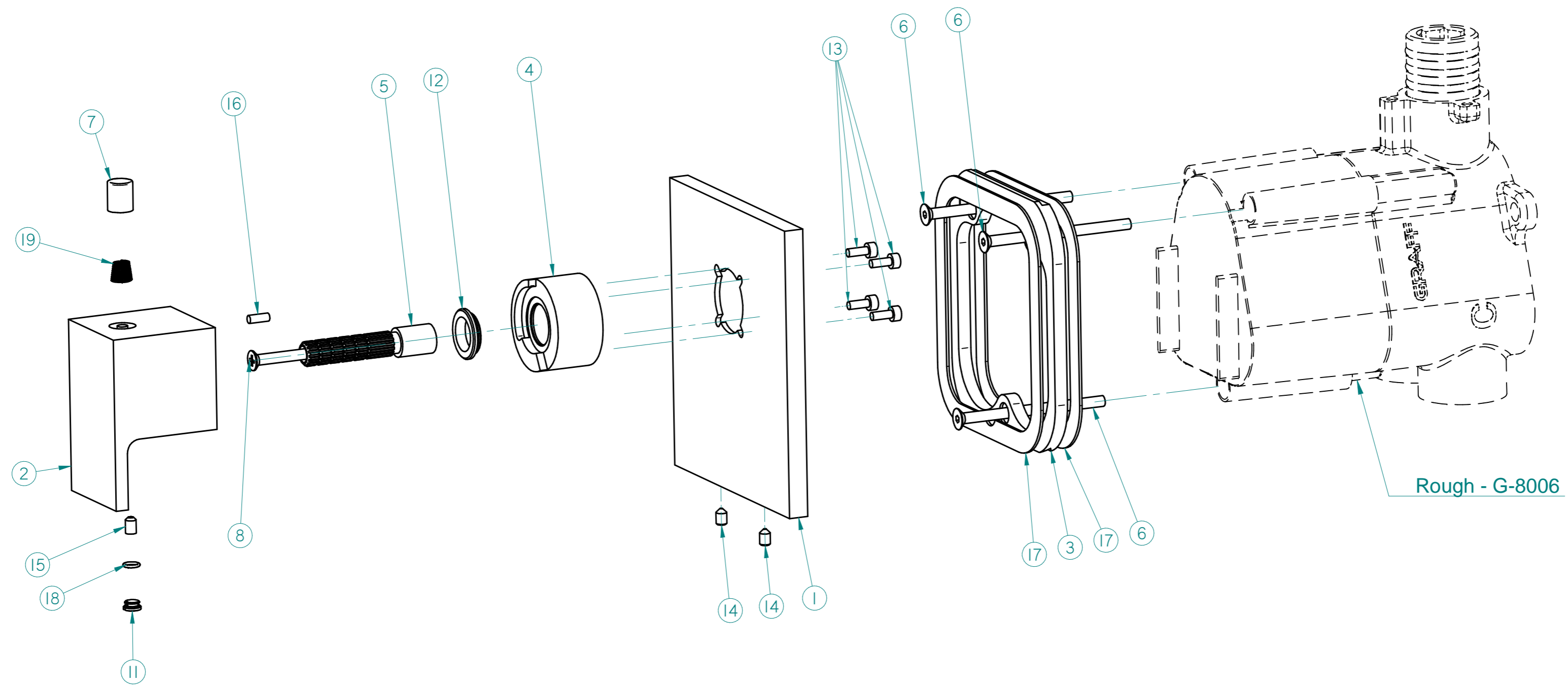


# G-8043-LM31E-T

## SOLAR Series



**GRAFF**<sup>®</sup>  
CUTTING EDGE DESIGN