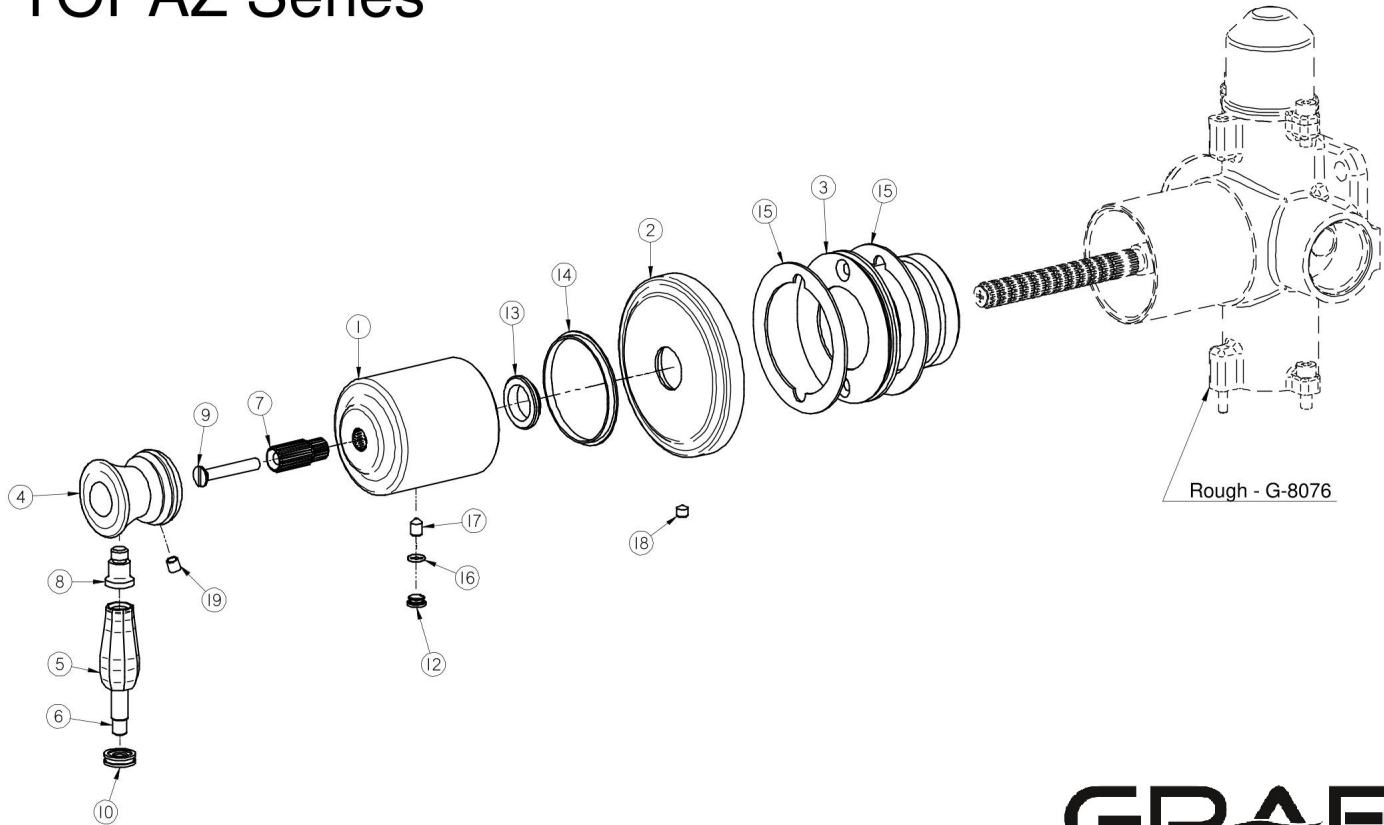


# G-8034-LM63E1-T

## TOPAZ Series



**GRAFF**<sup>®</sup>  
Art of Bath