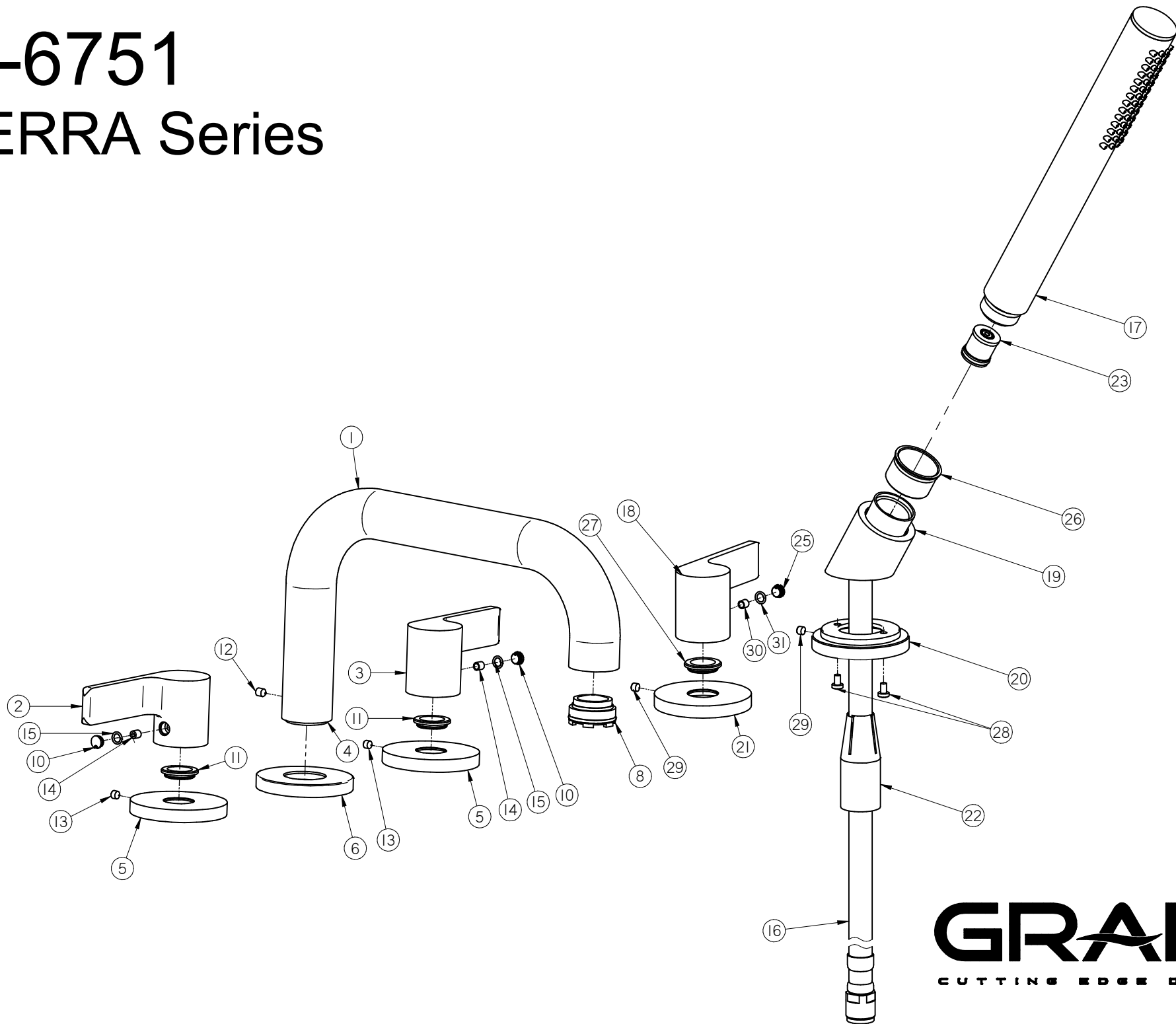


G-6751

TERRA Series



GRAFF[®]
CUTTING EDGE DESIGN