

Description:

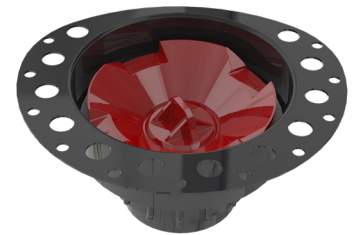
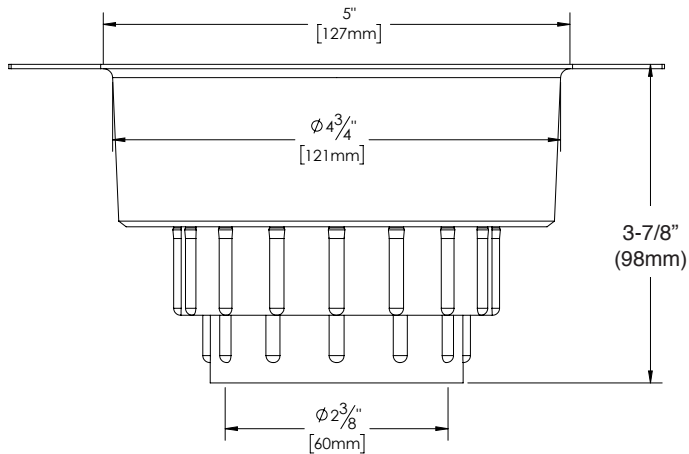
Island Tub Drain™ (Testable Rough-in) for Freestanding Tubs

Certification

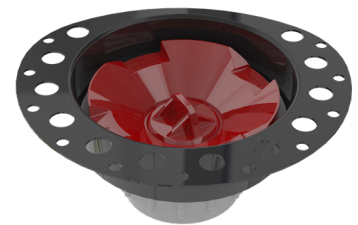
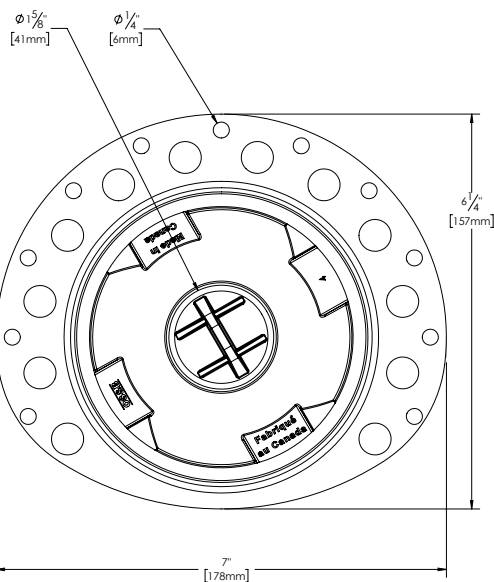


Features:

- Offset design 18 Gauge Epoxy coated Metal Deck Plate with holes to lock to Thinset
- Snap off Test Cap (Rated to 30psi)
- G-9980-ABS features an ABS Body/Tailpiece.
- G-9980-PVC features a White PVC Body/Tailpiece
- Island Tub Drain™ is a Freestanding Tub rough-in (install before tile installation)
- Low profile design allows for installation in 8" joist spaces or greater
- NOTE: Island Tub Drain™ IS NOT FOR USE with liquid applied or sheet membranes
- NOTE: Island Tub Drain™ MUST BE INSTALLED in a dry area with no potential of water contact



G-9980-ABS



G-9980-PVC