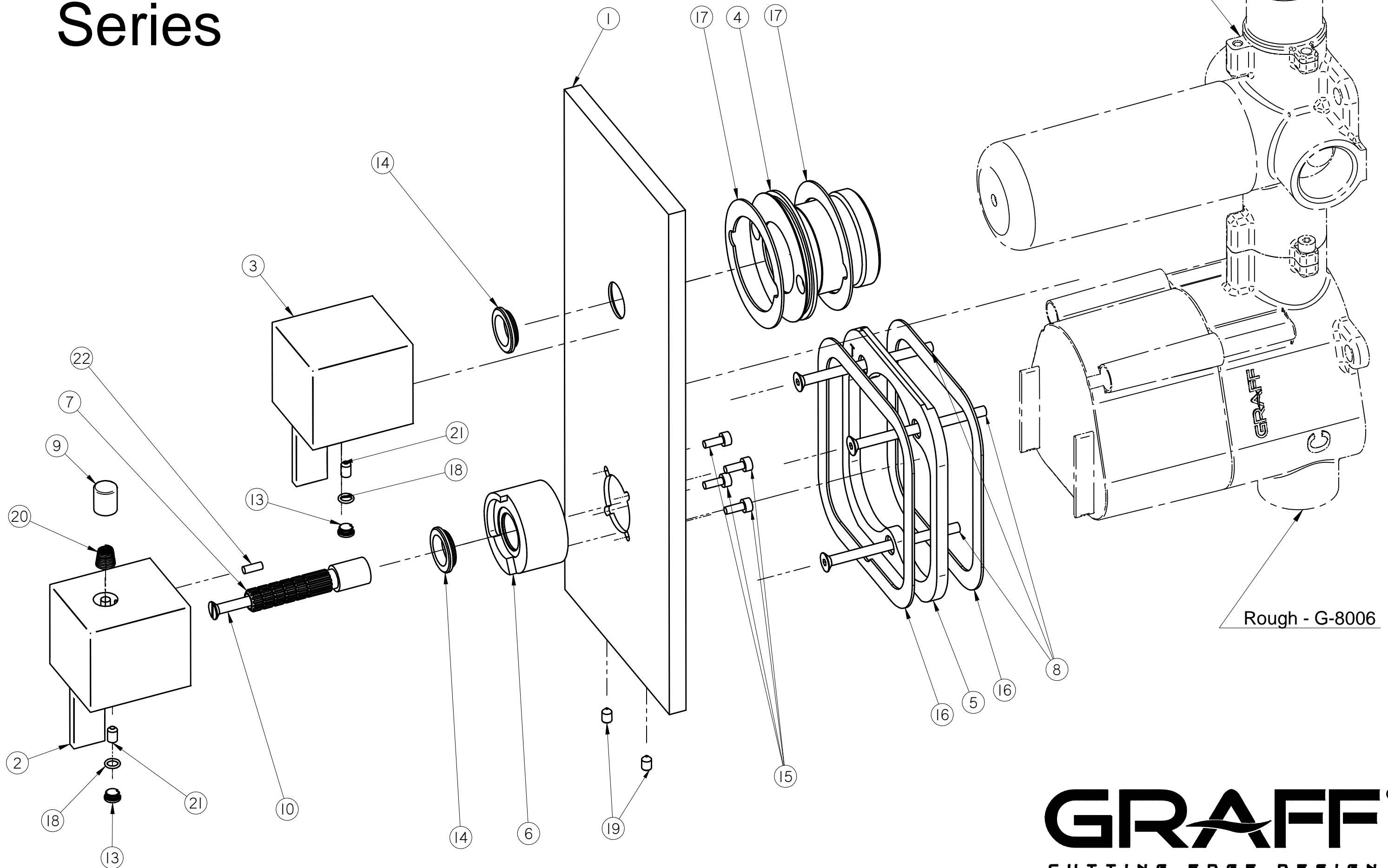


# G-8048-LM39E0-T Series

Rough - G-8052,  
G-8053 or G-8076



**GRAFF**<sup>®</sup>  
CUTTING EDGE DESIGN